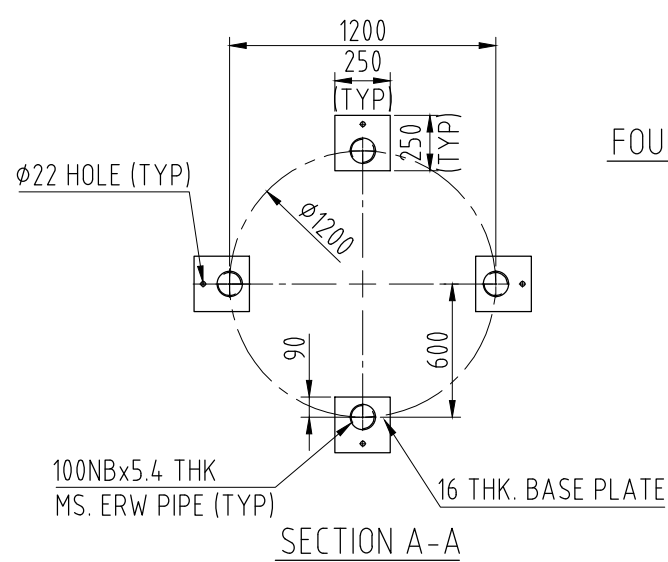
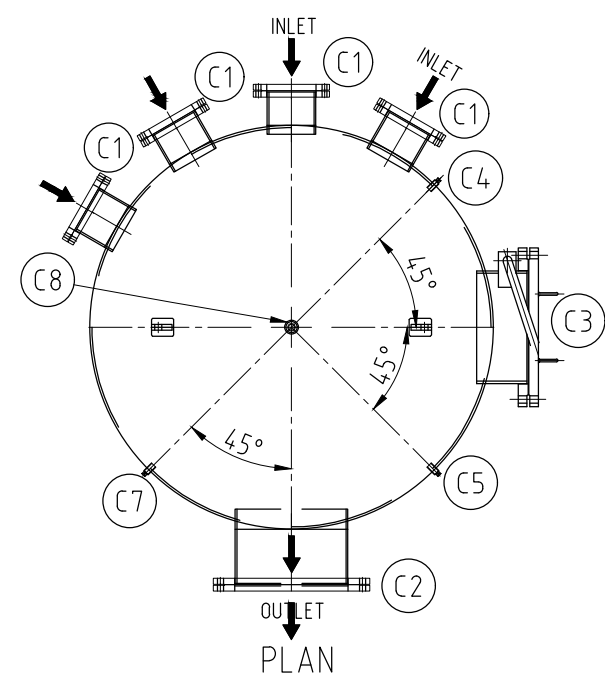
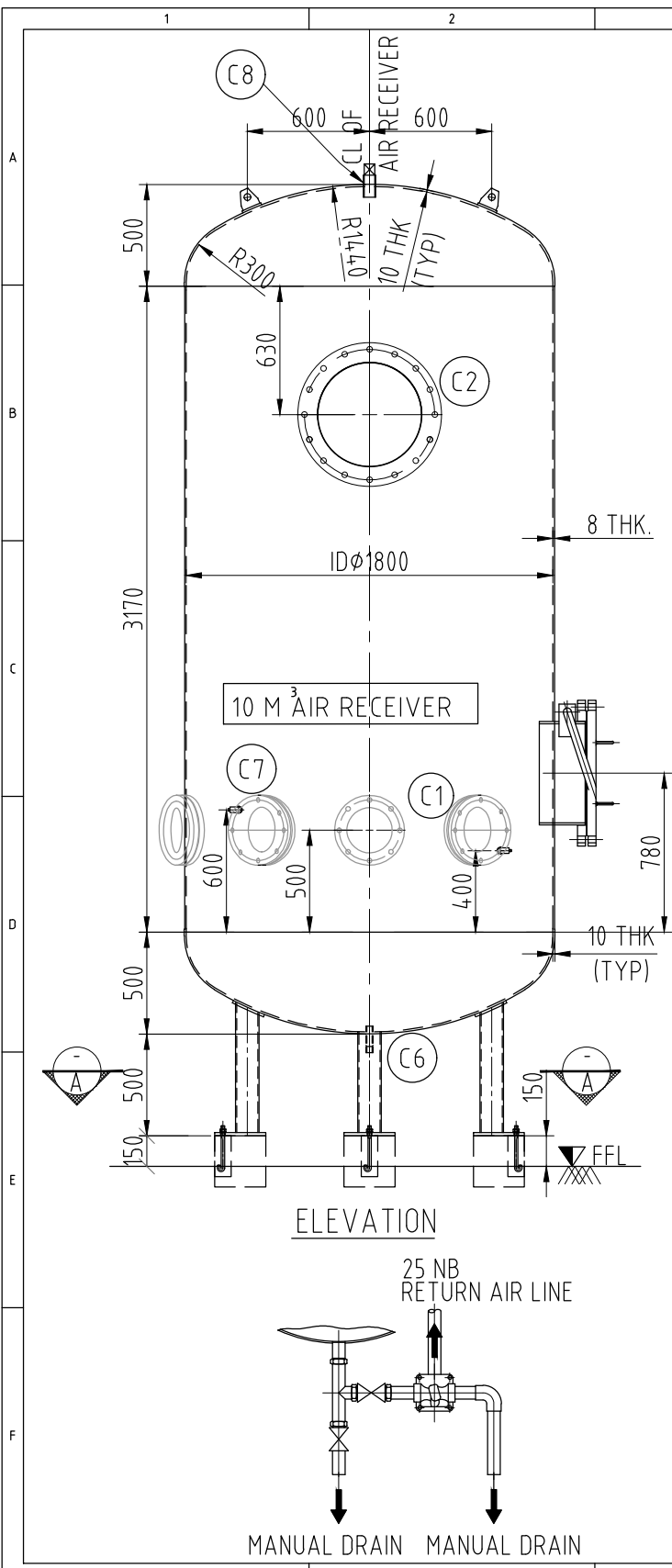
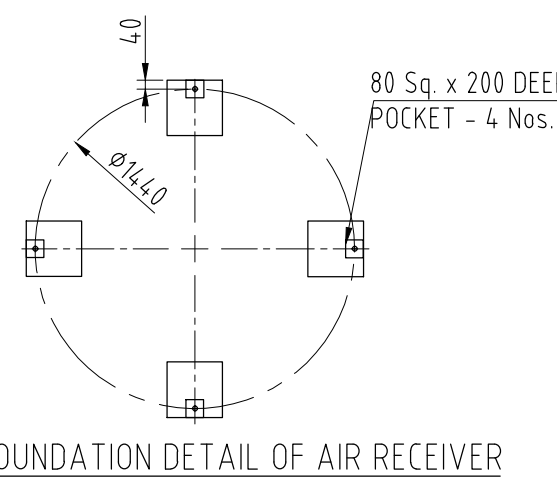


FIRST ANGLE PROJECTION



TECHNICAL DATA		
Working pressure	Kg/cm (g)	3.25
Design pressure	Kg/cm ² (g)	4.0
Design Temperature	Deg	50°C
Operating Temperature	Deg	45°C
Hydraulic test Pressure	Kg/cm ² (g)	7
Fluid Handled	-	air
Corrosion allowance	mm	1.5
Joint efficiency	-	0.7
Design Code	IS: 2825 CLASS - III / ASME SEC VIII DIV I	
Painting	As per Painting Schedule	
Capacity (Net)	m ³	10
Empty Weight	Kg	2350(approx.)



NOZZLE SCHEDULE			
SL.NO.	DESCRIPTION	NOZZLE SIZE	QTY
C1	INLET	200NB	4 NOS.
C2	OUTLET	500 NB	1 NO
C3	MANHOLE	600 NB	1 NO.
C4	PRESURE GAUGE	15 NB	1 NO
C5	BLANK	15 NB	1 NO
C6	DRAIN	25 NB	1 NO
C7	AUTO DRAIN RETURN	25 NB	1 NO
C8	PRESSURE RELIVE VALVE	100 NB	1 NO

REFERENCE DRAWING :-
 DWG NO. 1. GID-208-ME-ETG-XB-5002 TITLE P&ID FOR FLY ASH HANDLING SYSTEM

NOTES:-
 1. ALL DIMENSIONS ARE IN MM. UNLESS OTHERWISE STATED
 2. THE VESSEL IS ALLOWED TO LIFT ONLY WHEN IT IS EMPTY AND PRESSURELESS.
 3. MATERIAL OF CONSTRUCTION:-
 i) RECEIVER BODY MS, IS: 2062 Gr. E250 A.
 ii) FLANGES MS, IS: 2062 Gr. E250 A.
 iii) PIPE : MS, ERW AS PER IS: 3589/IS: 1239 PART-I HEAVY GRADE
 iv) GASKET : ASBESTOS FREE
 4. DRILLING STANDARD FOR ALL FLANGES ARE SLIP-ON TYPE AS PER ANSI B16.5 CLASS 150# .
 5. FOUNDATION LOAD (STATIC) ON EACH SUPPORT 500 KG.
 6. PAINTING SHALL BE AS PER APPROVED PAINTING SCHEDULE
 7. INSPECTION & TESTING WILL BE DONE AS PER APPROVED QAP.
 8. FOLLOWING ACCESSORIES FOR AIR RECEIVER WILL BE SUPPLIED AT SITE SEPARATELY.
 a. PRESSURE GAUGE.
 b. SAFETY VALVE
 c. AUTO DRAIN TRAP WITH ISOLATION VALVE
 9. ALL RADIOGRAPHY TEST SHALL BE DONE AS PER IS:2825, CLASS-2.

TOTAL QTY = 2 Nos.

DO NOT SCALE THE DRAWING POWER PROJECTS DIVISION

PROJECT IB THERMAL POWER STATION 2 X 660 MW UNITS 3 & 4

OWNER ODISHA POWER GENERATION CORPORATION LIMITED

OWNER'S CONSULTANT DEVELOPMENT CONSULTANTS PVT. LTD. CONSULTING ENGINEERS KOLKATA - INDIA

BOP EPC CONTRACTOR BGR ENERGY SYSTEMS LIMITED CHENNAI, INDIA

AHP VENDOR BGR ENERGY SYSTEMS LIMITED CHENNAI, INDIA

DRN.	SIRAMP	-	17.12.2019	SCALE 1:30	SHEET SIZE A3	NO. OF VAR. N.A.
PRP.	GOUTAM CHAUDHURI	-	17.12.2019			
CHD.	GOUTAM CHAUDHURI	-	17.12.2019			
APPD.	SWAGATA ROY KARMAKAR	-	17.12.2019			
NAME SIGNATURE DATE			BOP EPC CONTRACTOR'S DRAWING NO. GID-208-ME-ETG-XS-55392 REV. 0			
TITLE GA OF AIR RECEIVER (TAC)			OWNER'S DRAWING NO. SHEET. No. 1 OF 1			

ZONE	REV	DESCRIPTION	DATE	DRN.	CIVIL	MECH.	ELEC.	C&I	H.O.D.
	0	FIRST ISSUE FOR APPROVAL.	17.12.19						
REVISIONS					APPROVED				

CAUTION: THE INFORMATION ON THIS DOCUMENT IS THE PROPERTY OF BGR ENERGY SYSTEMS LTD., IT MUST NOT BE USED DIRECTLY OR INDIRECTLY IN ANY WAY DETRIMENTAL TO THE INTEREST OF THE COMPANY